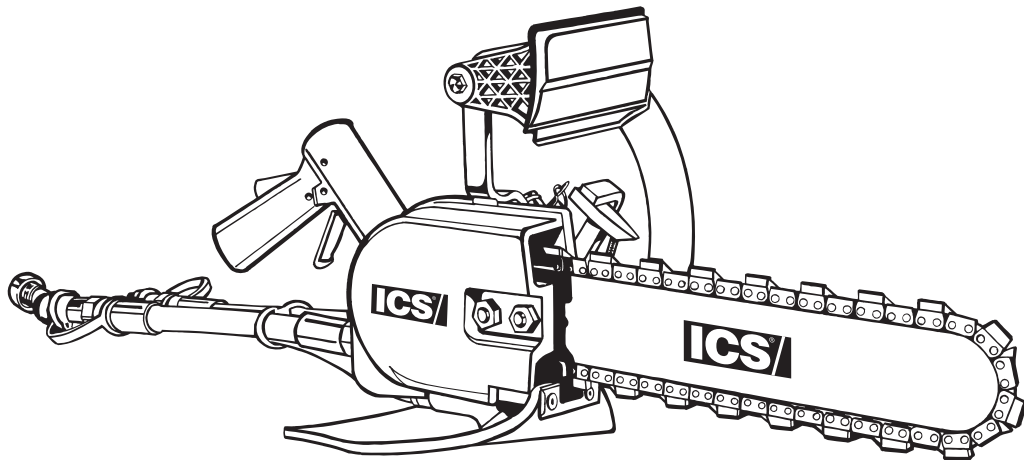




Replacement Parts & Accessories Price List



814PRO Hydraulic Concrete Saw

Effective January 1, 2013

TABLE OF CONTENTS

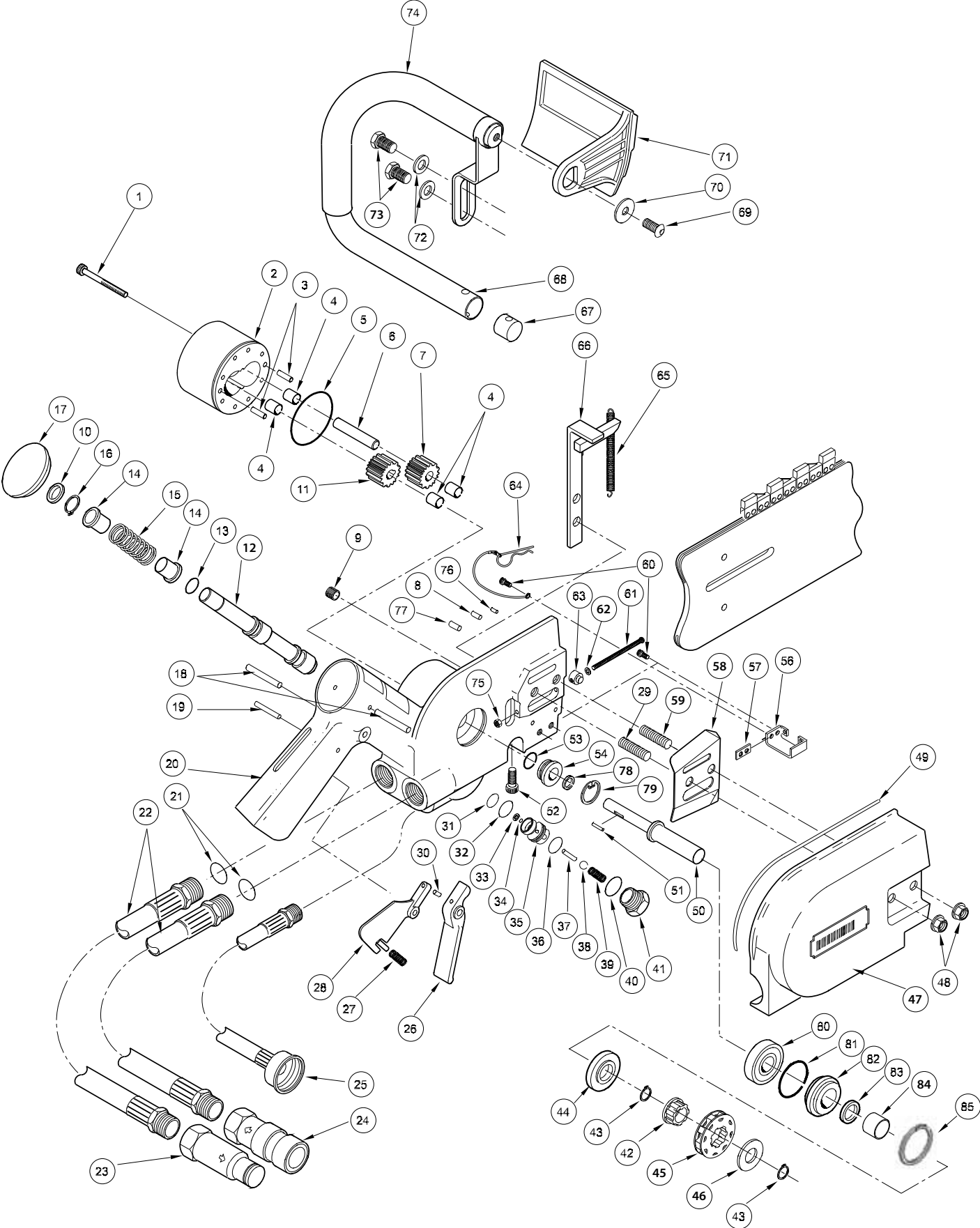
814PRO Hydraulic Concrete Saw

ITEM DESCRIPTION	KEY	PAGE
814PRO Hydraulic Saw Service Parts & Kits	n/a	1
814PRO Hydraulic Saw Assembly (Parts 1-46)	A	2-3
814PRO Hydraulic Saw Assembly (Parts 47-85)	A	4-5

SERVICE PARTS & KITS

814PRO Hydraulic Concrete Saw

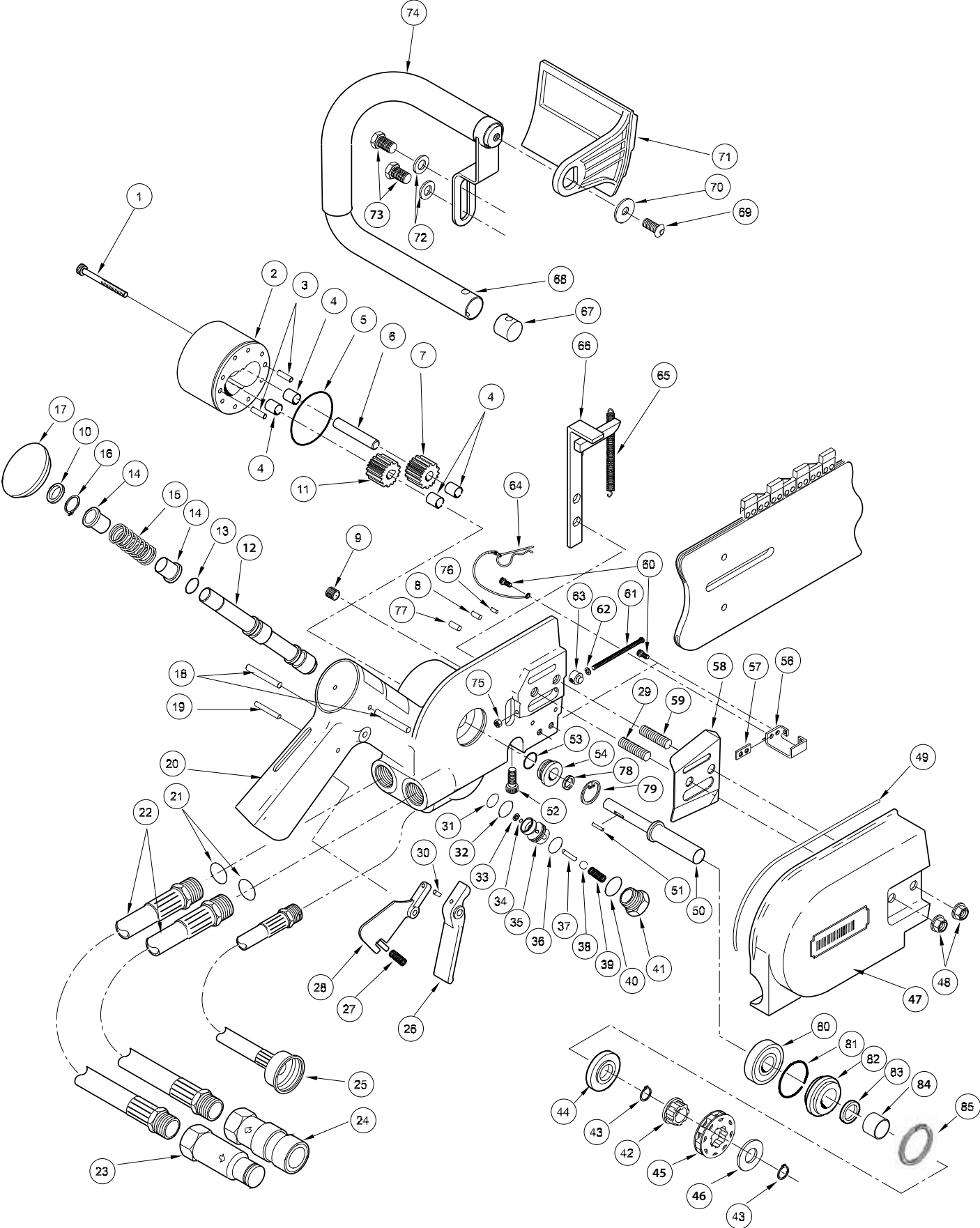
Part No.	Description	MSRP
71152	Tensioning Scrench, Hydraulic Saws	\$15.00
71944	Water Valve Seal Kit, includes: 34, 35, 37, 39, & 43	\$32.00
71945	Motor Shaft Seal Kit, includes 5,53,78,79,81,83	\$90.00
74061	Chain Tensioning Assembly, includes 61,62,63,75	\$63.00
75260	814PRO Rim Sprocket Upgrade Kit	\$417.00
74042	Guidebar - 13 in (33cm)	\$180.00
74719	TwinPRO-25 - 13 in (33cm)	\$585.00
74510	Bar nose repair kit	\$38.00



814PRO • KEY A PARTS (1 - 46)

Key #	Part No.	Description	MSRP
1	74514	HSH Cap Screw 10-24 x 1 1/4	\$5.50
2	74515	Rear Gear Housing Assembly	\$224.00
3	74516	Dowl Pin	\$4.00
4	74517	Bushing (4)	\$33.00
5	74518	O-Ring	\$4.50
6	74519	Idler Shaft	\$40.00
7	74520	Idler Gear	\$138.00
8	74021	WallWalker Pivot Pin	\$25.00
9	74597	1/8 NPT Plug	\$11.00
10	74596	Wiper Seal	\$52.00
11	74522	Drive Gear, with Keyway	\$162.00
12	74523	On-Off Valve	\$120.00
13	74524	Hydraulic Valve Seal	\$5.00
14	74525	Spring Washer	\$25.00
15	74526	Spring	\$22.00
16	74527	Retaining Ring, 1/2 External	\$7.50
17	74528	Plug Button	\$5.00
18	74529	Roll Pin	\$4.00
19	74530	Roll Pin	\$4.00
20	74531	Valve Handle Assembly includes 74540 & 74569	\$995.00
21	74532	O-Ring	\$4.50
22	74533	Pigtail Hose Assembly	\$44.00
23	74534	1/2 in (1.3 cm) Flush Face Coupler (M)	\$43.00
24	74535	1/2 in (1.3 cm) Flush Face Coupler (F)	\$84.00
25	74536	Water Hose Assembly	\$89.00
26	74537	Trigger	\$52.00
27	74538	Spring	\$4.50
28	74539	Safety Catch, Trigger Lock-Out	\$54.00
29	74540	Rear Stud	\$60.00
30	74542	Roll Pin	\$4.00
31	74543	O-Ring	\$5.50
32	74544	O-Ring	\$5.50
33	74545	Self Locking Retaining Ring	\$5.50
34	74546	O-Ring	\$4.50
35	74547	Water Valve Sleeve	\$141.00
36	74548	O-Ring	\$5.50
37	74549	Pin	\$49.00
38	74550	Steel Ball	\$5.50
39	74551	Spring	\$7.50
40	74552	O-Ring	\$4.00
41	74553	Seal Cap	\$61.00
42	71386	Splined Sprocket Adaptor	\$64.00
43	71384	External Shaft Retaining Ring	\$7.50
44	74497	Seal Spacer	\$38.00
45	71385	Rim Sprocket	\$32.00
46	71388	Tabbed Washer	\$13.00

© 2013 ICS, Blount International Inc. Supersedes all previous pricing. Specifications and pricing are subject to change without notice. REV1.3.13



814PRO • KEY A PARTS (47 - 85)

Key #	Part No.	Description	MSRP
47	71940	Side Cover Replacement Kit	\$299.00
48	74558	Flange Nut, M10	\$3.00
49	74559	Sprocket Side Cover Seal	\$19.00
50	71383	814PRO Motor Shaft Replacement	\$165.00
51	74561	Needle Roller	\$10.50
52	74562	HSH Cap Screw 5/15-18 x 3/4	\$3.00
53	74563	Shaft Seal	\$3.50
54	74564	Seal Back Up Washer	\$44.00
55	74591	Guard Flap Assembly (Not Shown)	\$42.00
56	74566	Guard Flap Mount	\$89.00
57	74567	Spacer	\$54.00
58	74568	Bar Mount Cover Plate	\$49.00
59	74569	Front Stud	\$65.00
60	74570	HSH Cap Screw 1/4-20 x 5/8	\$3.00
61	74571	Machine Screw	\$4.50
62	74572	Stat-O-Seal	\$6.50
63	74573	Bar Adjustment Nut	\$44.00
64	74019	Lanyard Assembly	\$27.00
65	74582	WallWalker Spring	\$15.00
66	74583	WallWalker Arm, with Spring	\$98.00
67	74574	Handle Bar Retainer	\$23.00
68	74575	Handle Bar	\$192.00
69	74584	Guard Mounting Bolt	\$12.00
70	74585	Guard Mounting Washer	\$10.50
71	74586	Front Handguard	\$28.00
72	74576	Washer	\$4.00
73	74577	HH Cap Screw 5/16-18 x 5/8, Zinc	\$3.00
74	74588	Handlebar Grip	\$19.00
75	74579	Nut 1/4-20 HHD LT SST	\$3.00
76	74580	Spiral Pin	\$7.50
77	74581	Spiral Pin	\$7.50
78	74493	Quad-Ring	\$3.00
79	74565	Retaining Ring	\$4.50
80	74554	Shaft Bearing Race	\$122.00
81	74498	O-Ring	\$3.00
82	74495	Seal Washer	\$36.00
83	74494	V-Ring	\$22.00
84	74496	Seal Ring	\$28.00
85	74555	Retaining Ring	\$7.50

814PRO Replacement Parts & Accessories Price List

**ICS, Blount Inc.
4909 SE International Way
Portland, OR 97222
Tel 800.321.1240 Fax 503.653.4393
icsbestway.com**