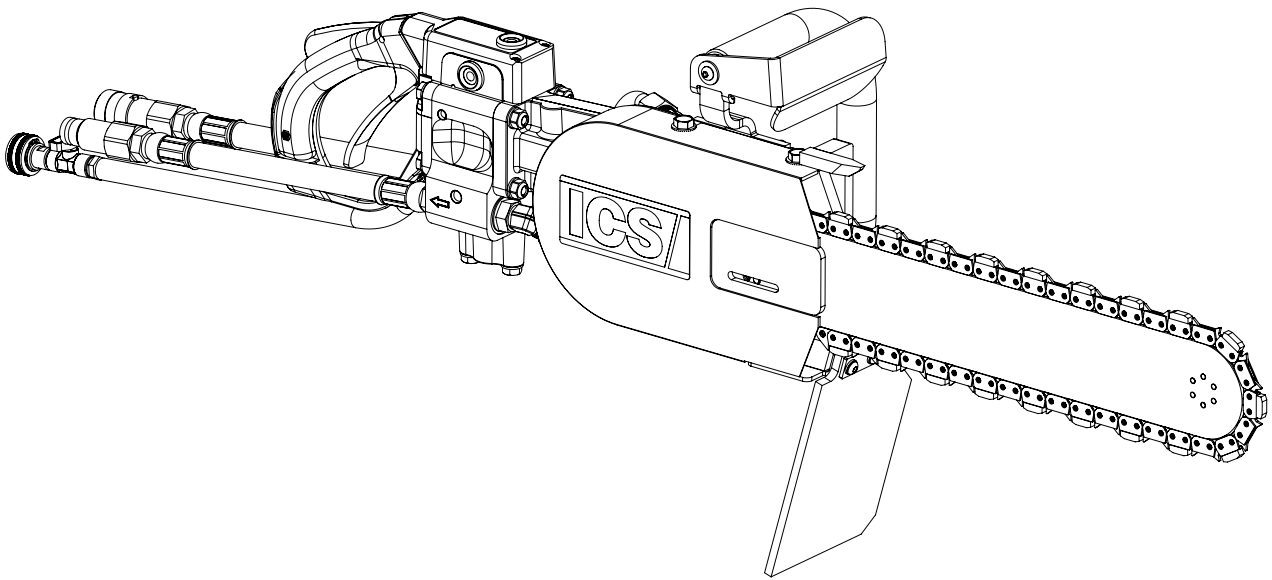




Diamond Tools and Equipment
for Construction and Infrastructure

Replacement Parts & Accessories Price List



880/890 FLUSH Series Hydraulic Concrete Saw

Effective January 1, 2021

TABLE OF CONTENTS

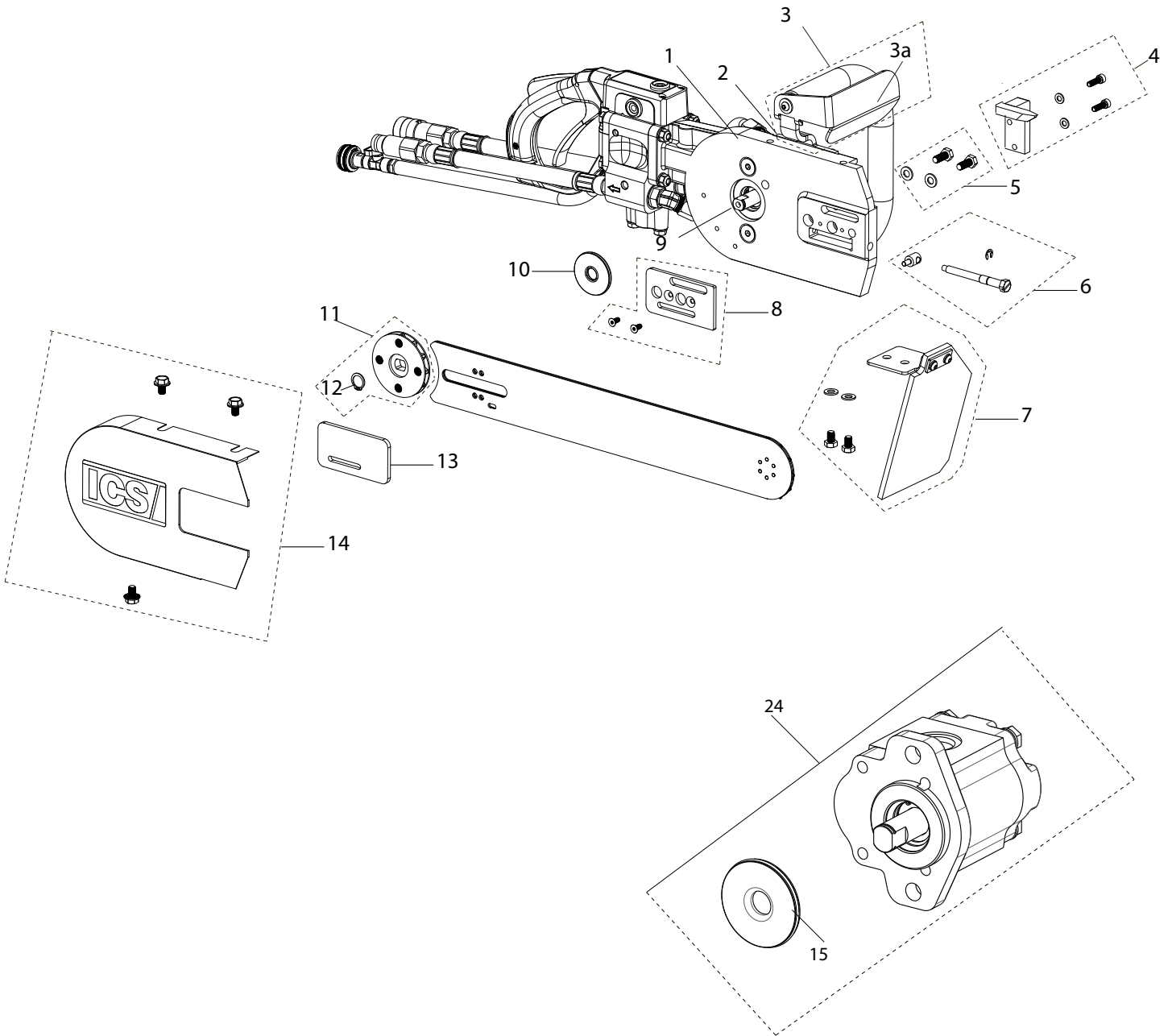
880/890 FLUSH Series Hydraulic Concrete Saw

ITEM DESCRIPTION	KEY	PAGE
880/890 FLUSH Series Hydraulic Saw Service Parts & Kits	n/a	2
880/890 FLUSH Series Hydraulic Saw Assembly	B	3-4

SERVICE PARTS & KITS

880/890 FLUSH Series Hydraulic Concrete Saw

Part No.	Description
70619	880/890 FLUSH Series Tensioning Screws, Hydraulic Saws
71526	880/890 FLUSH Series Hydraulic Valve Spool Kit
72296	880/890 FLUSH Series Hydraulic Valve Seal Kit
72347	880/890 FLUSH Series Hydraulic Trigger Lock-Out Spring & Pin Kit
506026	880/890 FLUSH Series Hydraulic Trigger & Lock-Out Kit
507407	880/890 FLUSH Series Hydraulic Front Handle Fastener Kit
518869	880/890 FLUSH Series Hydraulic Water Valve Kit, includes clip, plunger, spring, ball & water bridge spindle
528594	880/890 FLUSH Series Motor Seal Kit
72342	880/890 FLUSH Series Hydraulic Motor Bolt Kit
565317	880/890 FLUSH Series Valve Cover with levels
72344	880/890 FLUSH Series Valve Bolt Kit
566059	880/890 FLUSH Series Water Shut-off Valve Kit
564984	880/890 FLUSH Series Motor Conversion Kit with sprocket 8 gpm
564985	880/890 FLUSH Series Motor Conversion Kit with sprocket 12 gpm



Key #	Part No.	Description
1	532512	880/890 FLUSH Series Mainframe Replacement Kit
2	564962	880/890 FLUSH Series Replacement Motor Kit 30 lpm
2	564983	880/890 FLUSH Series Replacement Motor Kit 45 lpm
3	523947	880/890 FLUSH Series Front Handle Kit (includes 3a) 30 lpm
3a	74586	880/890 FLUSH Series Front Handguard Kit 30 lpm
3	567102	880/890 FLUSH Series Front Handle Kit (includes 3a) 45 lpm
3a	517874	880/890 FLUSH Series Front Handguard Kit 45 lpm
4	524673	880/890 FLUSH Series WallWalker Spike Kit
5	524658	880/890 FLUSH Series Bar Clamp Bolt Kit
6	523946	880/890 FLUSH Series Tensioner Kit
7	576682	880/890 FLUSH Series Guard Flap Assembly Kit
8	523945	880/890 FLUSH Series Spacer Plate Kit
9	564923	880/890 FLUSH Series Shaft Conversion Kit w/Motor Seals 30 lpm
9	564924	880/890 FLUSH Series Shaft Conversion Kit w/ Motor Seals 45 lpm
10	528563	880/890 FLUSH External Shaft Seal
11	565066	890 FLUSH Series Drive Sprocket Kit (includes Snap ring) 30 lpm/45 lpm 890 ONLY
11	549761	880 FLUSH Series Drive Sprocket Kit (includes Snap ring) 30 lpm/45 lpm
12	549796	880/890 FLUSH Series Snap ring Kit
13	524657	880/890 FLUSH Series Bar Clamp Plate Kit
14	532515	880/890 FLUSH Series Side Cover Kit
		* All other replacement parts are the same as 890 Series
		**Replacement parts for Trigger are listed on page 2

880/890 FLUSH Series Replacement Parts & Accessories Price List

**ICS, Blount Europe, SA
Rue Emile Francqui, 5
1435 Mont-Saint-Guibert, Belgium
Tel +32 10 301 251 Fax +32 10 301 259
icsdiamondtools.com**